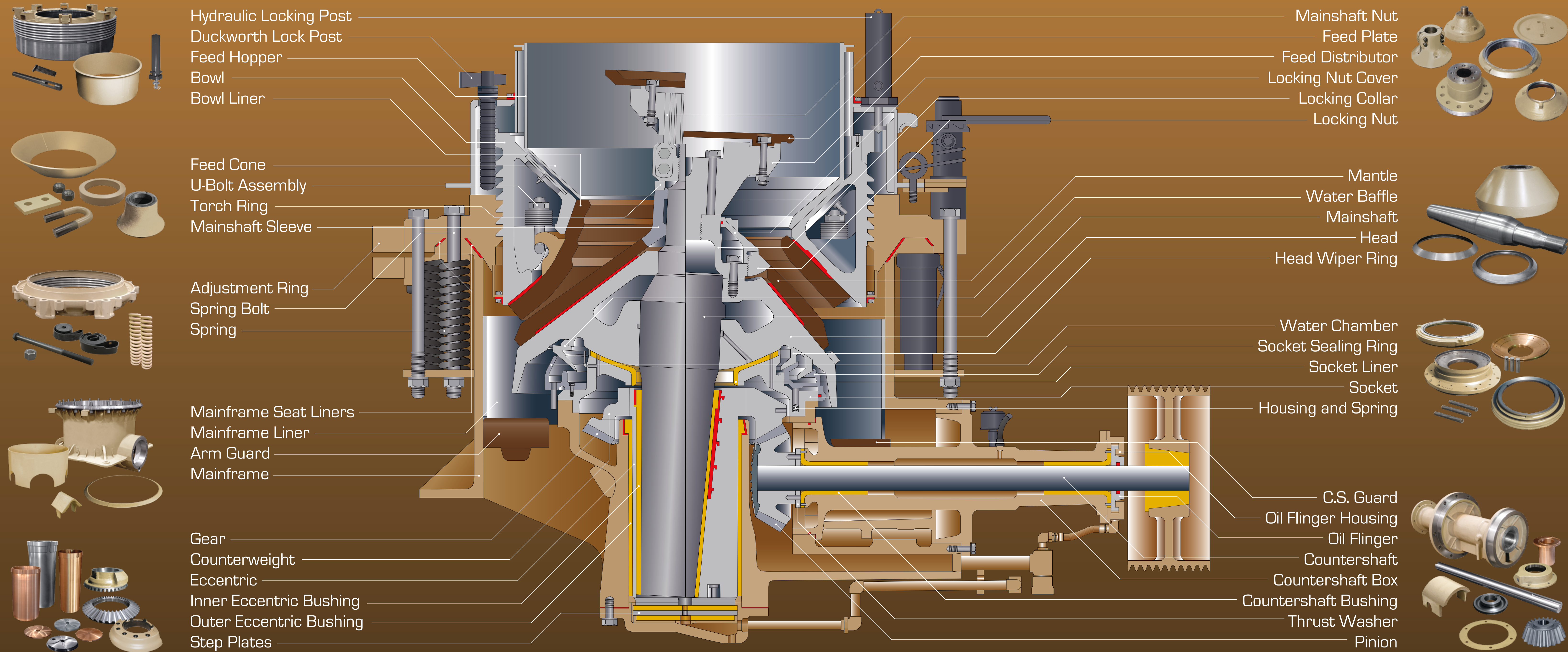


Excel Premium Components

Symons® Cone Crushers 2FT • 3FT • 4FT • 4¼ FT • 5½ FT • 7FT Standard & Shorthead

EXCELLENCE
SINCE 1929



+1.309.347.6155 • Toll Free 800.523.9129



sales@ExcelFoundry.com
ExcelFoundry.com



Manufactured Solutions > Delivered

Symons® and Gyrodisc® are marks of Metso Corporation or its affiliates. Excel Foundry & Machine is not an authorized repair facility nor does it have an affiliation with Metso. These terms are used for identification purposes only and are not intended to indicate affiliation with or approval by Metso of Excel. All parts are manufactured by, for and warranted by Excel Foundry & Machine and are not manufactured by, purchased from or warranted by the original equipment manufacturer.