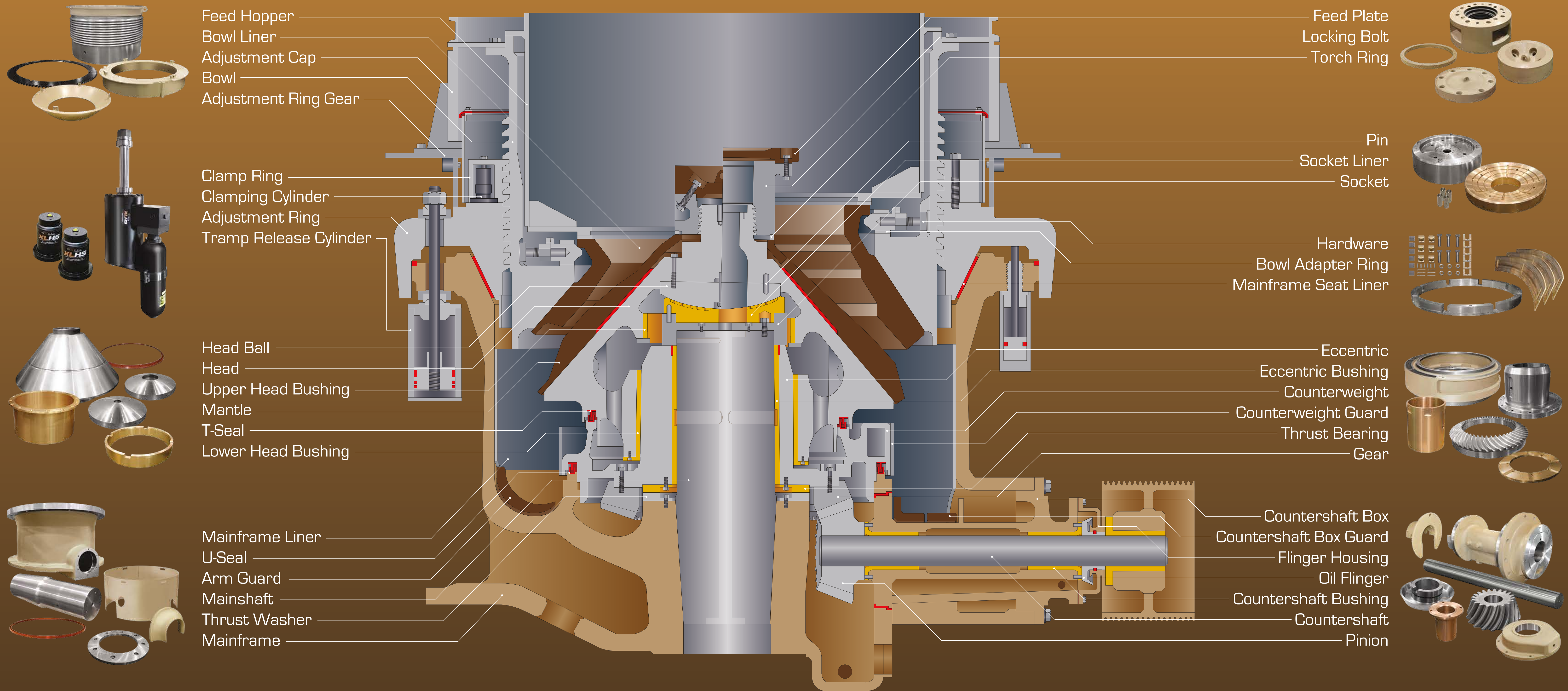


Excel Premium Components

MP[®] Cone Crushers MP800[™] • MP1000[™] • MP1250[™]

EXCELLENCE
SINCE 1929



Feed Hopper
Bowl Liner
Adjustment Cap
Bowl
Adjustment Ring Gear

Clamp Ring
Clamping Cylinder
Adjustment Ring
Tramp Release Cylinder

Head Ball
Head
Upper Head Bushing
Mantle
T-Seal
Lower Head Bushing

Mainframe Liner
U-Seal
Arm Guard
Mainshaft
Thrust Washer
Mainframe

Feed Plate
Locking Bolt
Torch Ring

Pin
Socket Liner
Socket

Hardware
Bowl Adapter Ring
Mainframe Seat Liner

Eccentric
Eccentric Bushing
Counterweight
Counterweight Guard
Thrust Bearing
Gear

Countershaft Box
Countershaft Box Guard
Flinger Housing
Oil Flinger
Countershaft Bushing
Countershaft
Pinion

+1.309.347.6155 • Toll Free 800.523.9129



sales@ExcelFoundry.com

ExcelFoundry.com



Manufactured Solutions > Delivered

MP[®] is a mark of Metso Corporation or its affiliates. Excel Foundry & Machine, Inc. is not an authorized repair facility nor does it have an affiliation with Metso. These terms are used for identification purposes only and are not intended to indicate affiliation with or approval by Metso of Excel. All parts are manufactured by, for and warranted by Excel Foundry & Machine, Inc. and are not manufactured by, purchased from or warranted by the original equipment manufacturer.