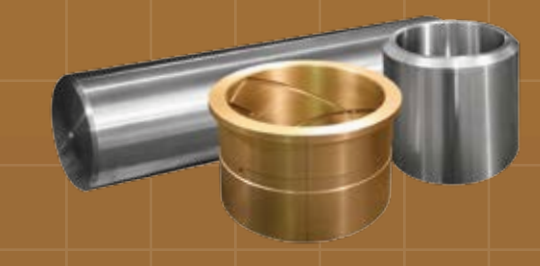
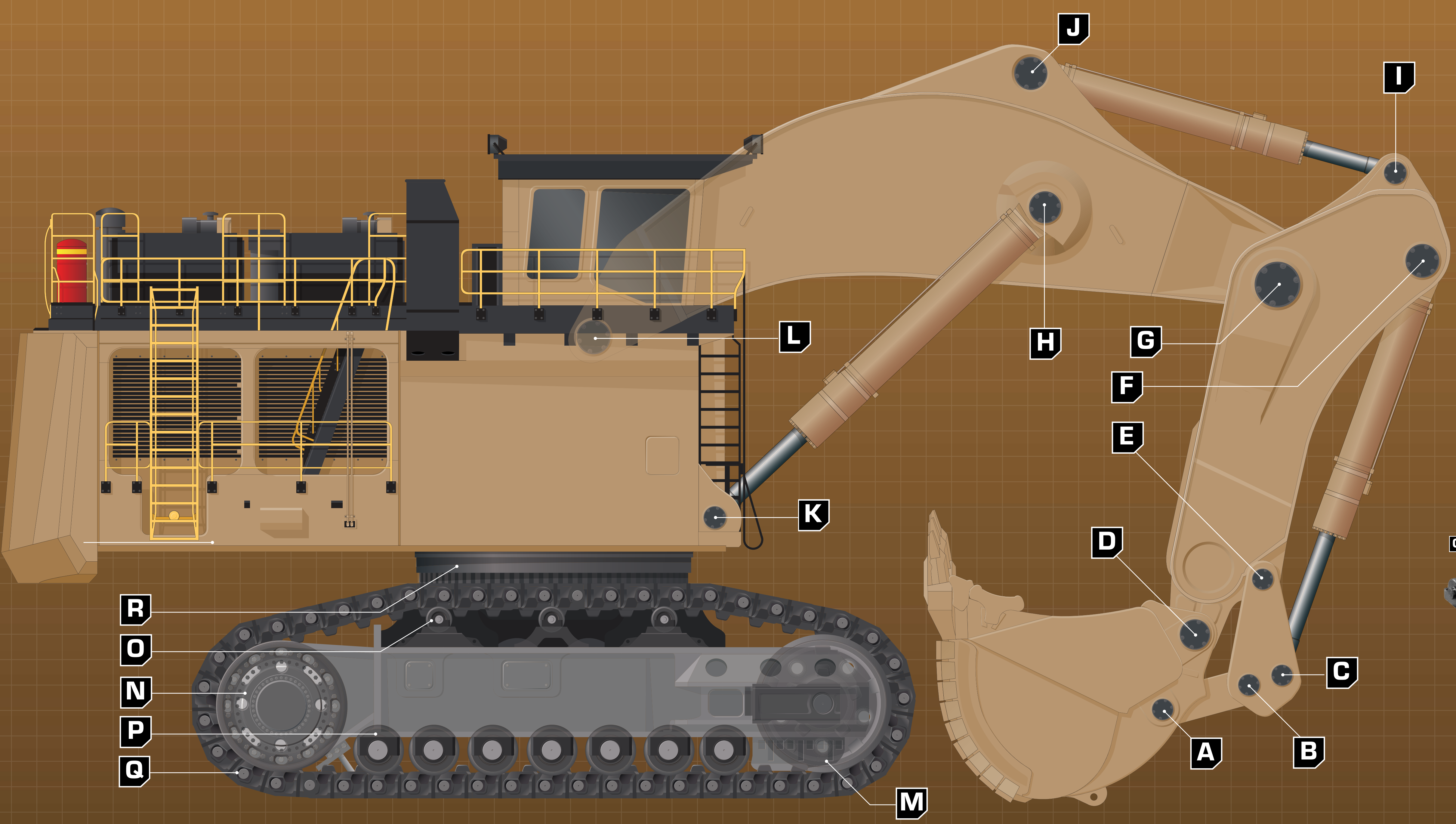


# Excel Premium Components

Liebherr® Hydraulic Excavators

R9350™ • R9400™ • R9800™ • R994™ • R996B™ • R996™

**EXCELLENCE**  
SINCE 1929

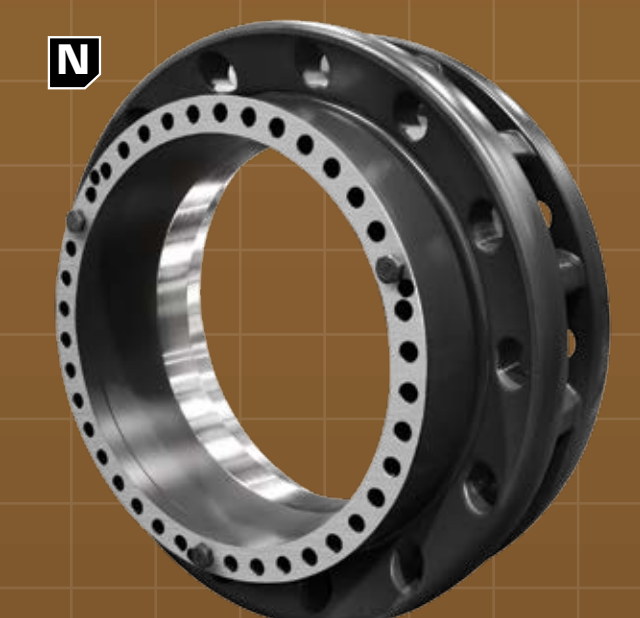


## Pins & Bushings

- A** Link & Bucket
- B** Link & Link
- C** Link & Bucket Cylinder
- D** Bucket & Stick
- E** Link & Stick
- F** Stick & Bucket Cylinder
- G** Gooseneck Boom & Stick
- H** Gooseneck Boom & Hoist Cylinder
- I** Stick Cylinder & Stick
- J** Gooseneck Boom & Stick Cylinder
- K** Frame & Hoist Cylinder
- L** Boom & Frame



Front Idler



Drive Sprocket



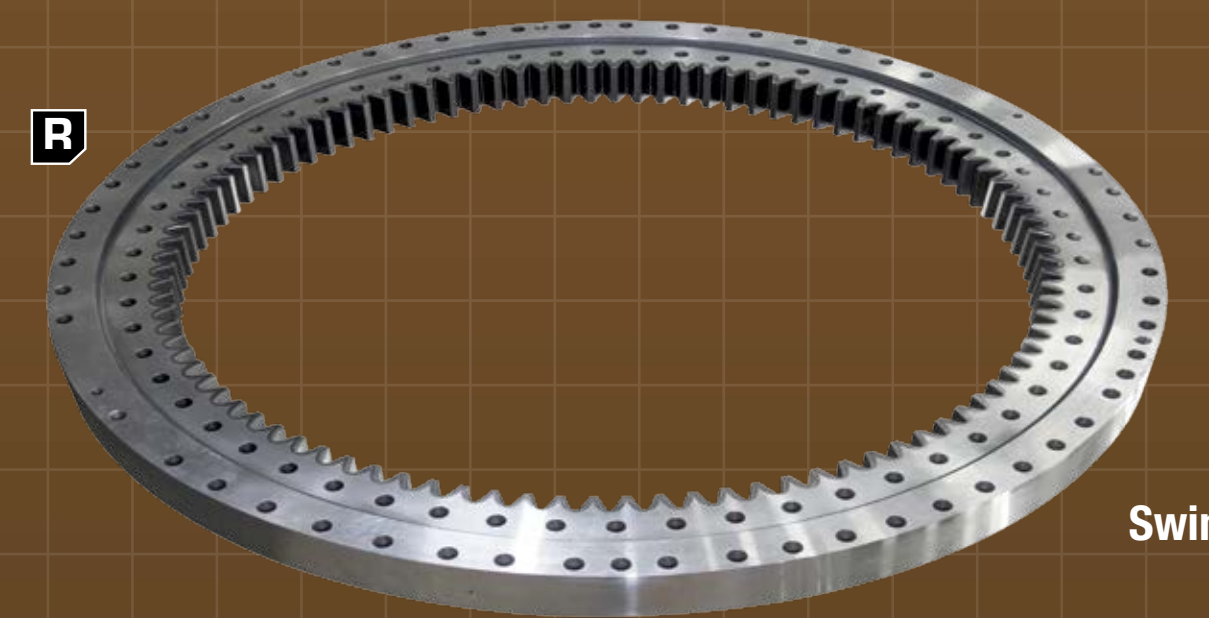
Upper Roller



Lower Roller



Track Pad



Swing Bearing

- R**
- O**
- N**
- P**
- Q**

+1.309.347.6155 • Toll Free 800.523.9129

sales@ExcelFoundry.com

**ExcelFoundry.com**



Liebherr® is a mark of Liebherr International AG. Excel Foundry & Machine is not an authorized repair facility of nor does it have an affiliation with Liebherr. These terms are used for identification purposes only and are not intended to indicate affiliation with or approval by Liebherr of Excel. All parts are manufactured by, for and warranted by Excel Foundry & Machine and are not manufactured by, purchased from or warranted by the original equipment manufacturer.

© Copyright 2015 FLSmidth A/S. All rights reserved.



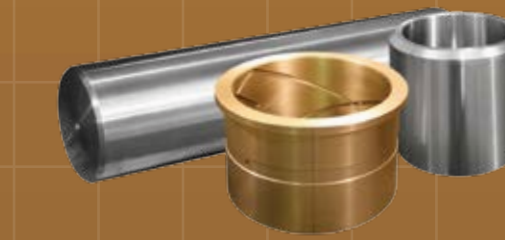
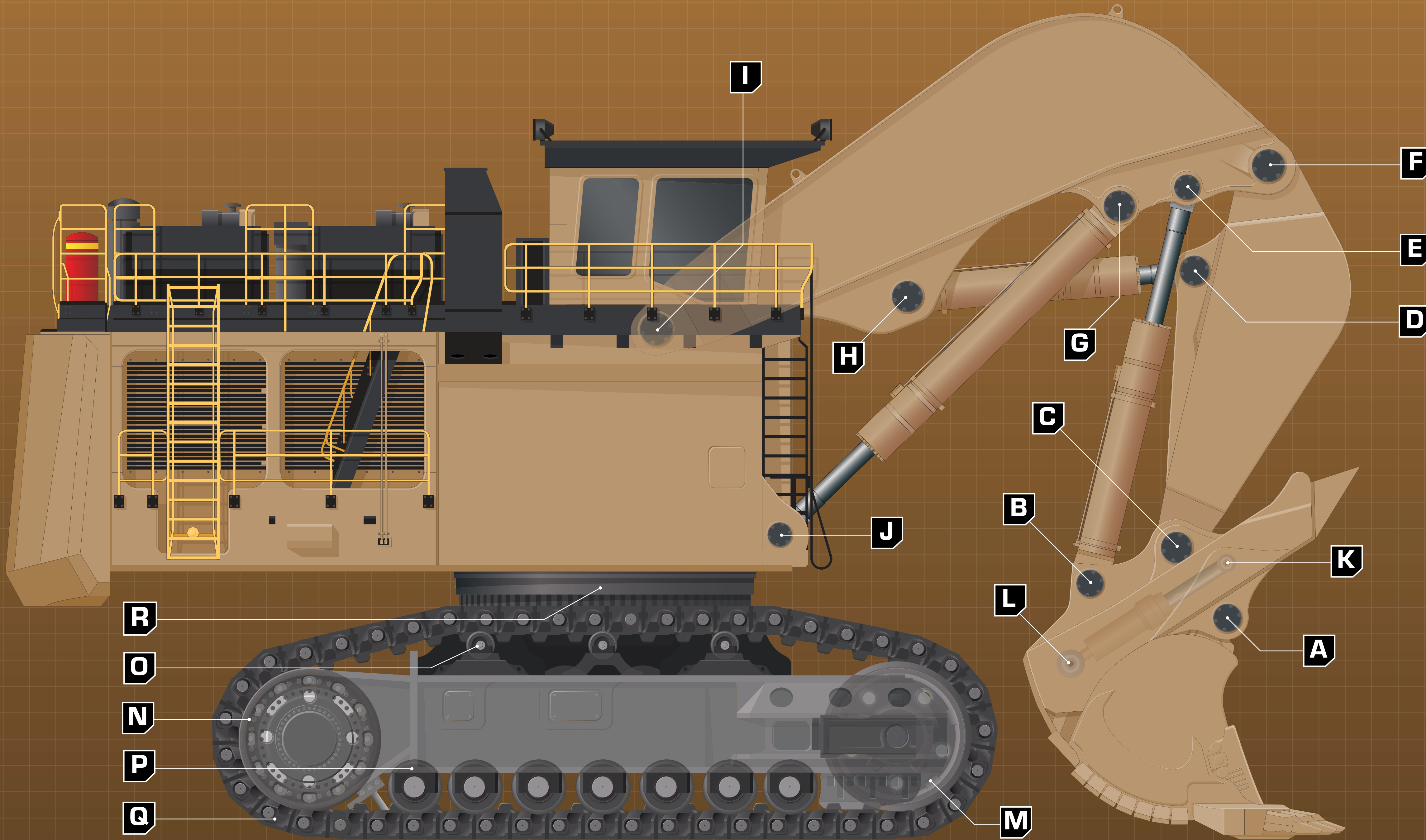
Manufactured Solutions > Delivered

# Excel Premium Components

## Liebherr® Hydraulic Excavators

R9350™ • R9400™ • R9800™ • R994™ • R996B™ • R996™

**EXCELLENCE**  
SINCE 1929



### Pins & Bushings

- A** Back Wall & Bottom Bucket
- B** Back Wall & Bucket Tilt Cylinder
- C** Shovel Stick & Back Wall
- D** Shovel Stick & Crowd Cylinder
- E** Shovel Boom & Bucket Tilt Cylinder
- F** Shovel Boom & Shovel Stick
- G** Shovel Boom & Hoist Cylinder
- H** Shovel Boom & Crowd Cylinder
- I** Shovel Boom & Frame
- J** Hoist Cylinder & Frame
- K** Dump Cylinder & Bottom Bucket
- L** Dump Cylinder & Back Wall



Front Idler



Drive Sprocket



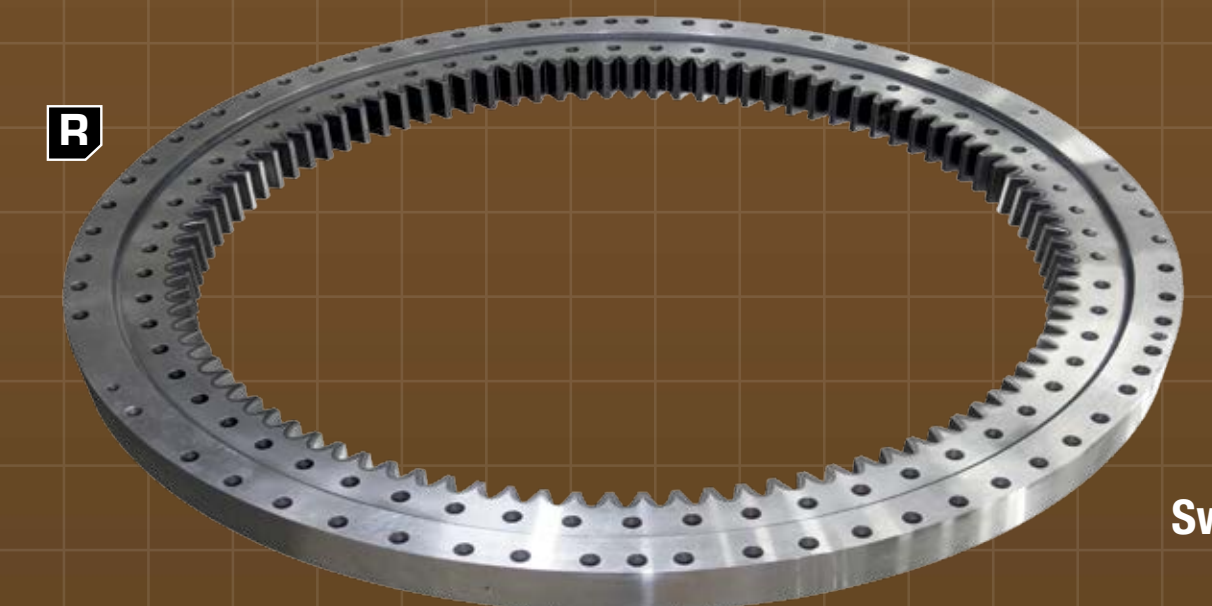
Upper Roller



Lower Roller



Track Pad



Swing Bearing

+1.309.347.6155 • Toll Free 800.523.9129

sales@ExcelFoundry.com



**ExcelFoundry.com**

Liebherr® is a mark of Liebherr International AG. Excel Foundry & Machine is not an authorized repair facility nor does it have an affiliation with Liebherr. These terms are used for identification purposes only and are not intended to indicate affiliation with or approval by Liebherr of Excel. All parts are manufactured by, for and warranted by Excel Foundry & Machine and are not manufactured by, purchased from or warranted by the original equipment manufacturer.

© Copyright 2015 FLSmidth A/S. All rights reserved.



Manufactured Solutions > Delivered