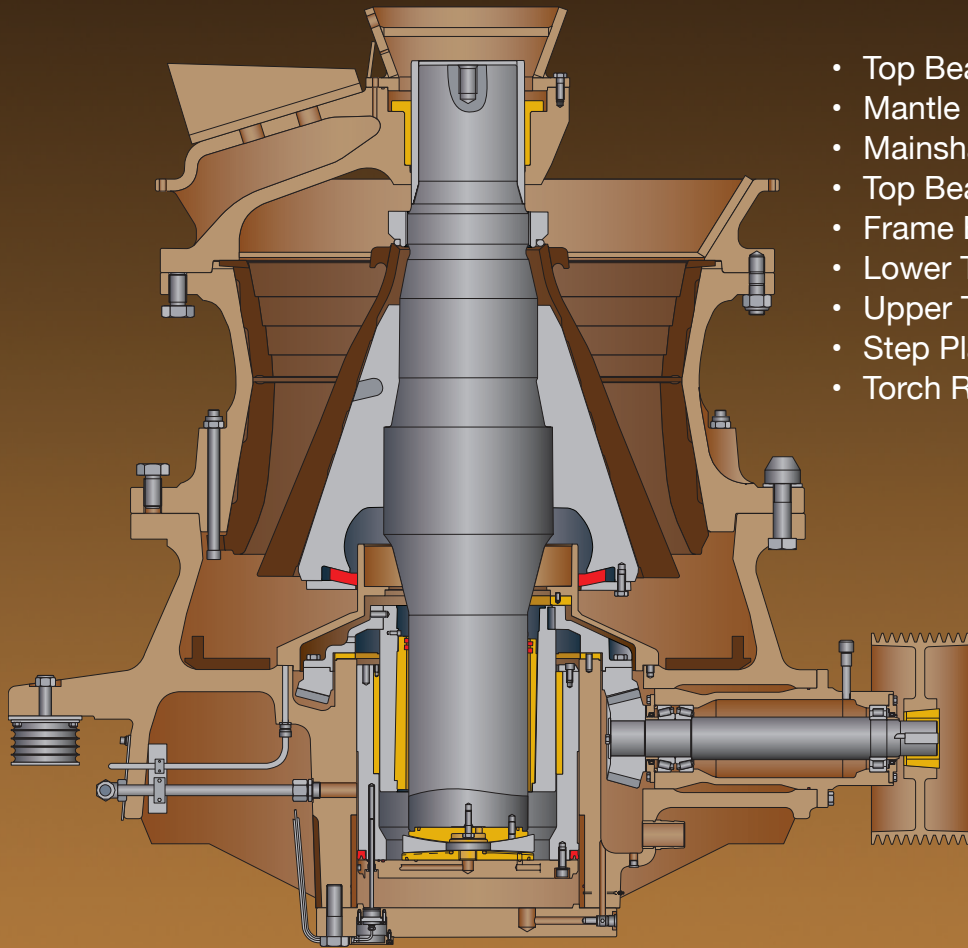


Excel Premium Components

GP® Series Cone Crushers

EXCELLENCE
SINCE 1929



- Top Bearings
- Mantle Locking Nuts
- Mainshaft Sleeves
- Top Bearing Seal Rings
- Frame Bushings
- Lower Thrust Bearings
- Upper Thrust Bearings
- Step Plate Bearing Assemblies
- Torch Rings



GP® is a mark of Metso Minerals Industries, Inc. or its affiliates. Excel Foundry & Machine is not an authorized repair facility nor does it have an affiliation with Metso. These terms are used for identification purposes only and are not intended to indicate affiliation with or approval by Metso of Excel. All parts are manufactured by, for and warranted by Excel Foundry & Machine and are not manufactured by, purchased from or warranted by the original equipment manufacturer.

© Copyright 2016 FLSmidth A/S. All Rights Reserved.

EXCEL
FOUNDRY
& MACHINE

+1.309.347.6155 | Toll Free 800.523.9129
sales@ExcelFoundry.com

1 Excel Way | Pekin, Illinois | USA
ExcelFoundry.com